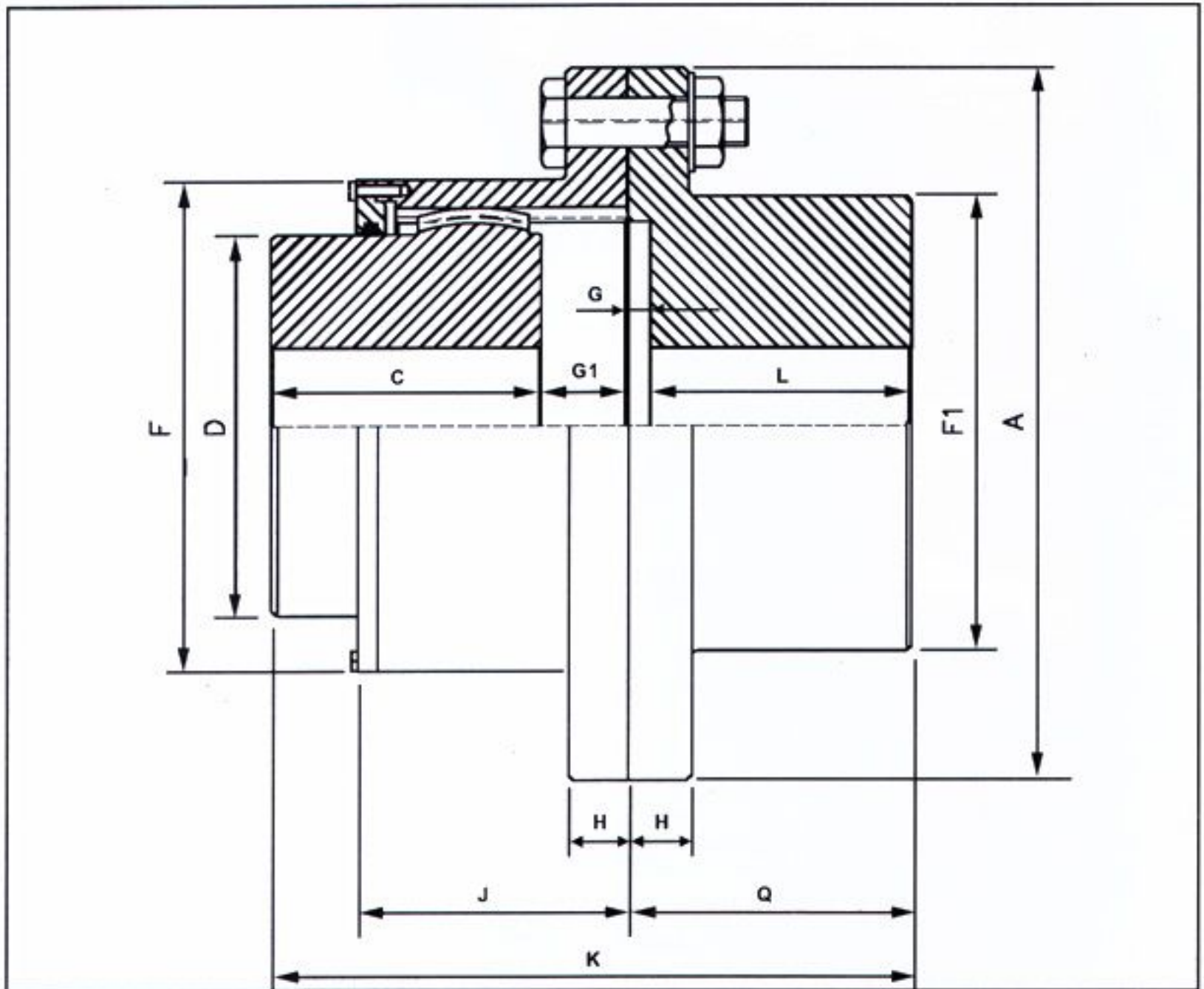


NUFLEX FLEXIBLE GEAR COUPLING FOR PAPER REFINER



NU-TECK G.C. NO.	H.P. CAPACITY AT 100 R.P.M.	PILOT BORE	BORE MAX IN HUB	BORE MAX IN RIGID	DIMENSION IN mm										
					A	C	D	F	G	G1	F1	Q	H	J	K
GC -102 - HPR	35	30	60	75	185	92	85	125	5	30	110	72.5	17	62	194
GC -104 - HPR	119	50	90	110	250	105	130	175	7	35	160	107.5	20	96	247
GC -105 - HPR	182	60	110	130	290	110	155	200	7	35	185	115	25	106	260



Manufactured by :

NU-TECK COUPLINGS PRIVATE LIMITED

B-1-C-13, BHOSARI INDUSTRIAL ESTATE,

P.B. NO. 14, PUNE - 411 026 (INDIA)

TEL. : 7120103, 7120104.

FAX : (020) 7121223 E-mail : sanman@vsnl.net.in